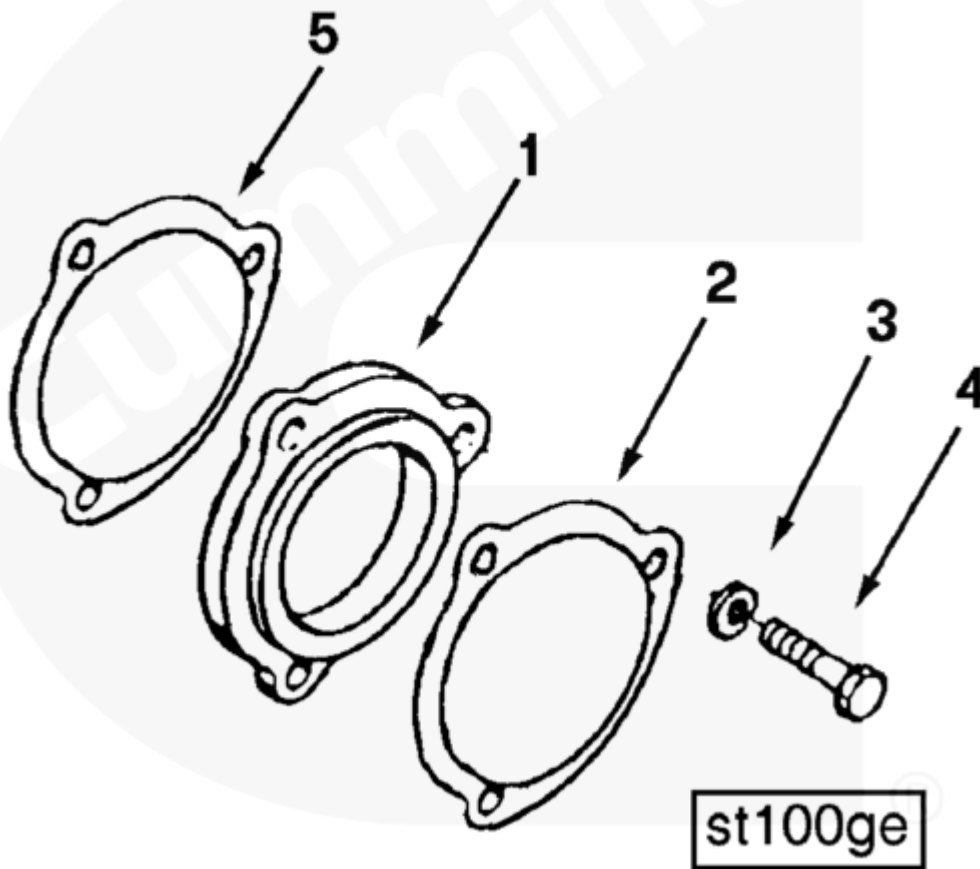




Parts Catalog - Option Detail

Electronic Parts Catalog - Option Detail				
Option	Group	Graphic	Film Card	Date
ST8084	13.05	st100ge	F	15-FEB-93
Engines	NH/NT 855, NT495, NT743, NTA855 N106			

©Cummins Inc



[SMALL](#) | [MEDIUM](#) | [LARGE](#)

Cart	Ref No	Part Number	Part Description	Required	Remarks
View My Cart					
		ST8084	Starter Mounting		Starter motor spacer for wet...(More)
					flywheel housing. Spacer and
					gasket provide .560inch total
					spacing.

<input type="checkbox"/>	1	3065116	Starting Motor Spacer		
<input type="checkbox"/>	2	S 603	Lock Washer	3	5/8 in.
<input type="checkbox"/>	3	69096	Starter Gasket	1	
<input type="checkbox"/>	4	3074633	Twelve Point Cap Screw	3	5/8 - 11 x 2 1/2 inches
<input type="checkbox"/>	5	3031007	Starter Gasket		

© 2019 Cummins Inc., Box 3005, Columbus, IN 47202-3005 U.S.A.
 Terms of Use and Disclaimers | Recommended System Requirements
 Need Assistance? Please click on the Contact Us button in the top right corner of any page.